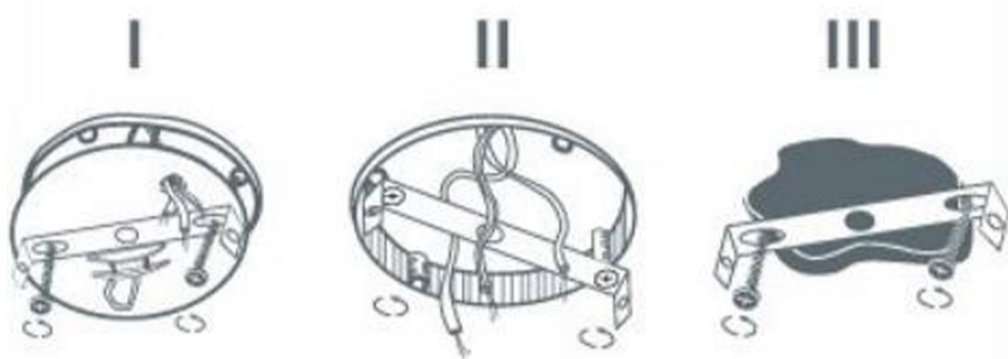
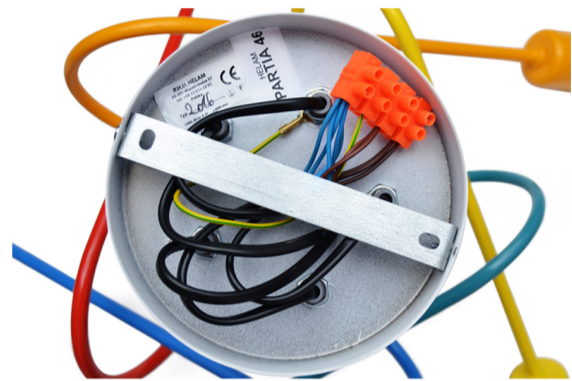


# Assembly manual for OXFORD series

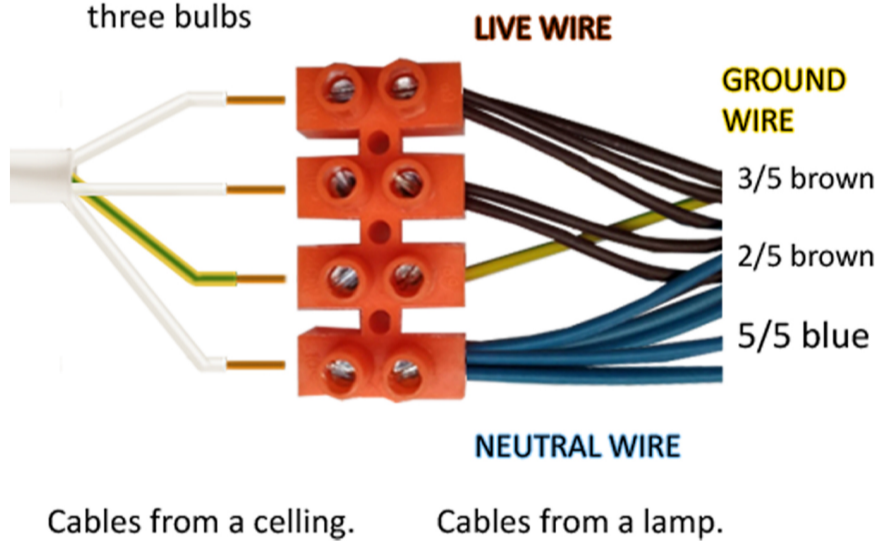
1. Turn off the power
2. Attach the ceiling bracket



3. Connect the wires to the ceiling lamp:

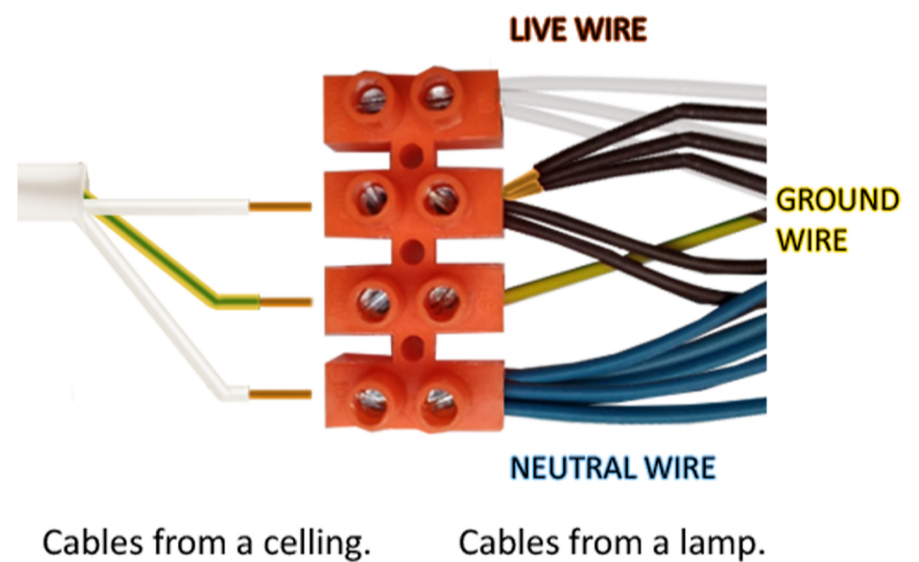


There is a possibility to turn on:  
five bulbs /  
three bulbs

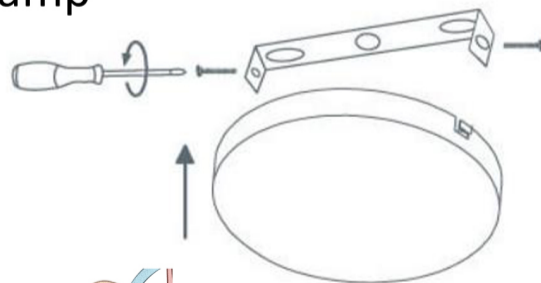


If there are only two cables from the ceiling  
the all brown cables should go to the rest  
in the same colour.

There is a possibility to turn on :  
all bulbs in the same time



4. Attach the ceiling lamp



5. Insert light bulb

